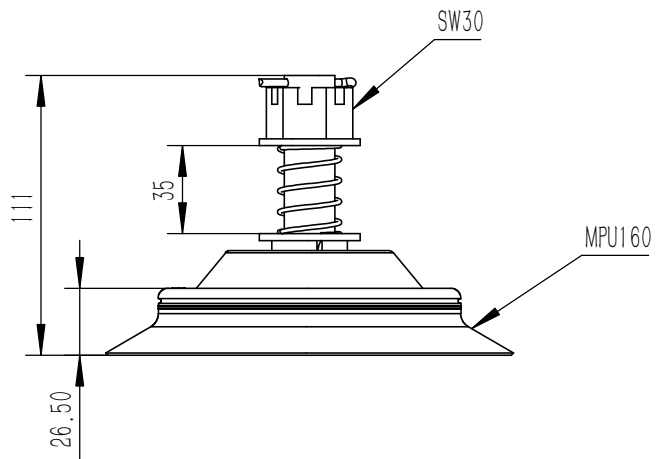
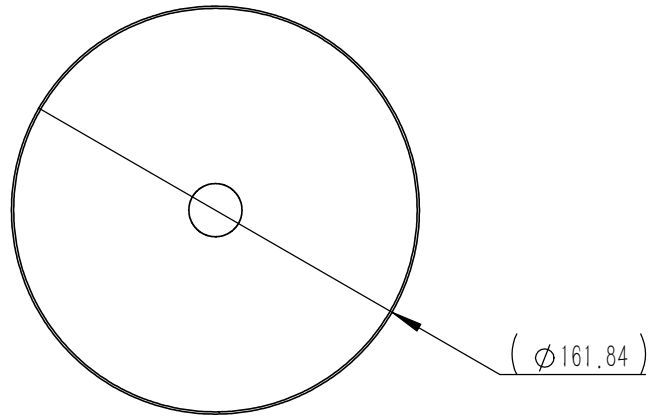


# AMILA



Note:

3.The estimated weight. 1.2 KG

Marking	Number of places	Zoning	Change file number	Sign it	Date	Stage Marker	Mass	Ratio	MTE-TF-J25-MPU160-T00058
Design			Standardization						
Check			Craft						Amila Automation Technology Suzhou Co.,Ltd.
In charge of design			Audit					Substitutions	
			Permission granted			Total number of sheets	Version		

Part Code
Registration of borrowed (common) parts
General number of old base plan
General number of base drawing
Sign it
Date

1

2

3

4

5

6