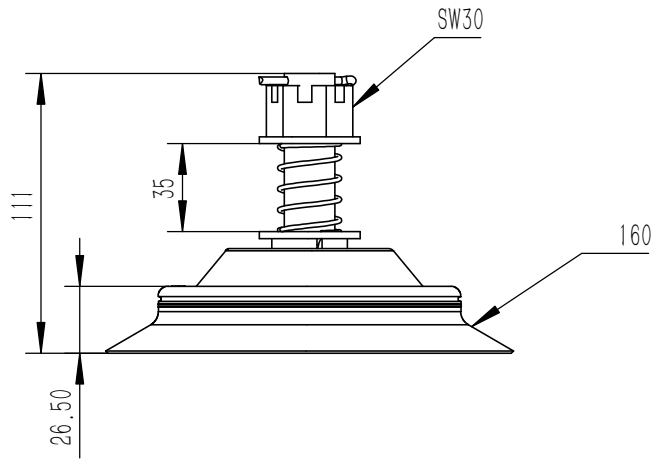
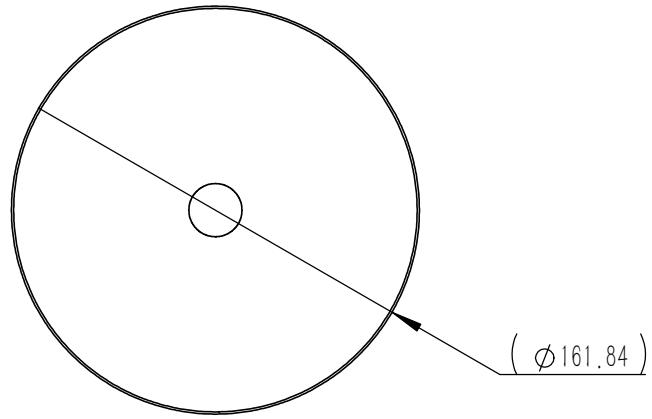


A					6
B					B
Part Code					C
Registration of borrowed (common) parts					C
General number of old base plan					C
General number of base drawing					D
Sign it					D
Date					D
1	2	3	4	5	6



Note:

3.The estimated weight. 1.2 KG

Marking	Number of places	Zoning	Change file number	Sign it	Date	Stage Marker	Mass	Ratio	
Design			Standardization						
Check			Craft						
In charge of design			Audit						
			Permission granted			Total number of sheets	Version	Substitutions	