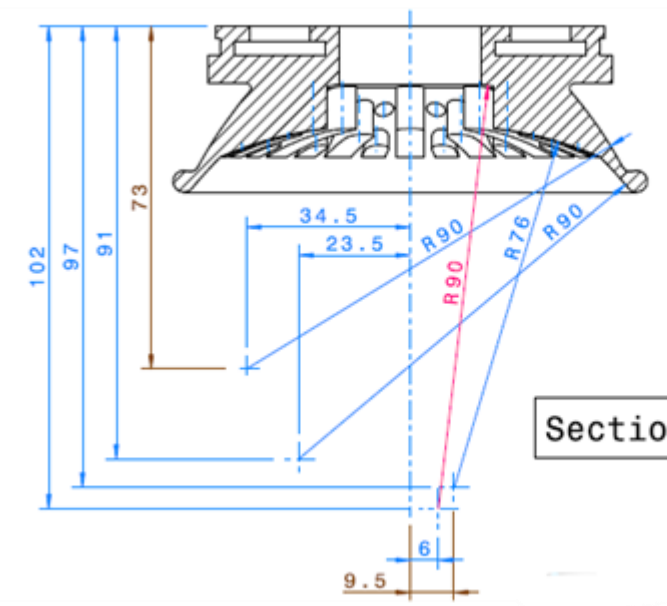


Section view A-A



Detail C
Scale: 2:1



Section view B-B